

Price List and Sizing Chart

**POLETOPS**<sup>™</sup>

U.S. and other patents pending.

*Single Row Series*



*Double Row Series*



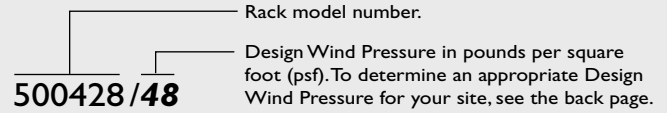
## Sizing Chart

Select a model number for the type and number of modules you plan to mount. Where two choices are listed, select the rack with the lowest acceptable Design Wind Pressure. To determine an appropriate Design Wind Pressure for your site, see the back page. Modules mount with long dimension perpendicular to the rails unless otherwise noted.

**Some combinations require extra module bolt sets. See individual notes.**

**Call UniRac for any modules or configurations not shown.**

### KEY



Module	Number of modules to be mounted							
	1	2	3	4	6	8	10	12
<b>BP Solar</b>								
BP365	500023/50	500029/50	500103/50	500108/49	500321/45	500326/33	500329/27; 500423/50	500427/50
BP375, -380, -580, -585	500024/50	500030/39	500105/50	500110/42	500323/39	500328/29; 500421/50	500425/50	500429/47
BP3125	500044/50	500129/50	500132/36	500229/37	500457/50	500463/45	500468/36	500472/30
BP3150, -3160, -4150, -4160, -4170	500045/50	500130/42	500226/40	500339/27; 500452/50	500459/42	500465/34	500471/27	
<b>Evergreen</b>								
EC102, -110, -115	500036/50	500114/50	500121/35	500224/36	500456/50	500462/47	500467/38	500470/31
<b>First Solar</b>								
FS50D	500025/50	500101/50	500107/47	500112/35	500325/32	500424/50	500429/48	500430/40
<b>GE Energy (AstroPower)</b>								
GE65, -70	500023/50	500030/40	500104/50	500109/43	500322/39	500327/29; 500420/50	500424/50	500428/48
GE100, -110	500025/50	500101/50	500107/37	500221/38	500335/25; 500432/50	500437/47	500443/38	500447/31
GE165	500028/50	500107/38	500231/35	500335/26; 500432/50	500439/43	500446/32		
<b>Isofoton</b>								
I-100	500036/50	500114/50	500121/39	500224/44	500335/29; 500432/50	500437/44	500442/43	500446/36
I-150S	500040/50	500122/39	500233/39	500336/29; 500432/50	500473/48	500474/36		
I-165	500039/50	500120/39	500230/39	500335/29; 500432/50	500439/48	500446/36		
<b>Kyocera</b>								
KC80	500025/50	500031/39	500107/50	500113/43	500325/39	500330/29	500429/50	500430/48
KC120-I	500043/50	500128/50	500131/38	500227/40	500342/27; 500456/50	500461/50	500466/40	500470/33
KC158G	500039/50	500121/43	500232/39	500335/29; 500432/50	500440/48	500447/36		
<b>Photowatt</b>								
PW750	500035/50	500041/50	500118/50	500124/40	500334/36	500338/27; 500435/50	500438/50	500444/45
PW1250	500038/50	500118/50	500127/35	500334/36	500436/50	500443/45	500449/36	
PW1650	500041/50	500123/41	500233/37	500337/28; 500434/50	500442/46	500450/34		
<b>RWE Schott</b>								
ASE300	500128/45	500227/31		500426/38				
SAPC165	500027/50	500106/42	500220/38	500334/27; 500431/50	500436/44	500443/33	500448/25	
<b>Sharp</b>								
NE-80UI	500034/50	500040/50	500117/50	500122/43	500333/39	500336/30; 500433/50	500437/50	500441/48
ND-123UI	500043/50	500128/50	500131/33	500228/38	500342/24; 500456/50	500462/46	500467/37	500471/31
NE-165UI, NT-185UI	500027/50	500106/42	500220/38	500334/27; 500431/50	500436/44	500443/33	500448/25	
<b>Shell</b>								
SM55		500025 <sup>a</sup> /50	500029 <sup>a</sup> /50	500101 <sup>b</sup> /50	500107 <sup>c</sup> /43	500221 <sup>d</sup> /44	500334 <sup>d</sup> /35	500335 <sup>e</sup> /29; 500432 <sup>e</sup> /50
SM110	500025/50	500101/50	500107/42	500221/43	500335/29; 500432/50	500437/50	500443/43	500447/31
SQ70, -75, -80	500023/50	500030/40	500104/50	500109/43	500322/39	500327/29; 500420/50	500424/50	500428/48
SQ140, -150, -160	500027/50	500105/41	500219/38	500340/25; 500453/50	500460/42	500466/31	500472/25	
<b>SunWize</b>								
SVW85, -90, -95	500035/50	500042/36	500119/44	500126/37	500324/30; 500454/50	500458/50	500464/44	500469/37
SVW115, -120	500036/50	500114/50	500120/39	500223/40	500341/27; 500455/50	500461/49	500466/39	500470/33
<b>UniSolar</b>								
US32	500033/50	500037 <sup>a</sup> /50	500042 <sup>a</sup> /40	500116/50	500125/36	500332/36		
US42	500026/50	500102/50	500111/36	500320/50	500422/50			
US64	500037/50	500115/50	500124/36	500331/37	500435/50	500440/45	500445/36	500451/30

<sup>a</sup>Order 1 extra set of module bolts.

<sup>c</sup>Order 3 extra sets of module bolts.

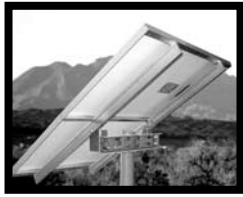
<sup>e</sup>Order 6 extra sets of module bolts.

<sup>f</sup>Modules mount with short dimension perpendicular to the rails.

<sup>b</sup>Order 2 extra sets of module bolts.

<sup>d</sup>Order 4 extra sets of module bolts.

## Price List — Single Row Racks



**Series 5000: One module row  
for 2 1/2-inch Schedule 40 or 80  
pole (2 7/8-inch O.D.)**

Model number	Rail length	Channel length	Module bolt sets	Shipping		List price
				Lbs	Dimensions	
500023	20"	24"	1	9	25" x 4" x 3"	\$112.00
500024	22"	24"	1	9	25" x 4" x 3"	114.00
500025	26"	24"	1	9	27" x 4" x 3"	118.00
500026	30"	24"	1	10	31" x 4" x 3"	122.00
500027	32"	24"	1	10	33" x 4" x 3"	124.00
500028	38"	24"	1	10	39" x 4" x 3"	127.00
500029	40"	24"	2	11	41" x 4" x 3"	129.00
500030	42"	24"	2	11	43" x 4" x 3"	131.00
500031	50"	24"	2	12	51" x 4" x 3"	139.00
500033	16"	32"	1	10	22" x 4" x 3"	111.00

Model number	Rail length	Channel length	Module bolt sets	Shipping		List price
				Lbs	Dimensions	
500034	20"	32"	1	10	33" x 4" x 3"	\$115.00
500035	24"	32"	1	10	33" x 4" x 3"	119.00
500036	26"	32"	1	10	33" x 4" x 3"	121.00
500037	30"	32"	1	11	33" x 4" x 3"	125.00
500038	32"	32"	1	11	33" x 4" x 3"	127.00
500039	40"	32"	1	12	41" x 4" x 3"	132.00
500040	42"	32"	2	12	43" x 4" x 3"	134.00
500041	44"	32"	2	12	45" x 4" x 3"	136.00
500042	46"	32"	2	12	47" x 4" x 3"	138.00
500043	26"	40"	1	12	41" x 4" x 3"	123.00
500044	28"	40"	1	12	41" x 4" x 3"	125.00
500045	32"	40"	1	12	41" x 4" x 3"	129.00

U-bolt substitution (2 U-bolts plus hardware)

990323	For 3-inch Schedule 40 pole (3 1/2-inch O.D.)	\$6.00
990324	For 4-inch Schedule 40 pole (4 1/2-inch O.D.)	7.00

For special-order U-bolts up to 13 inches, contact UniRac.



**Series 5001: One module row  
for 3-inch Schedule 40 or 80  
pole (3 1/2-inch O.D.)**

Model number	Rail length	Crosspipe length	Module bolt sets	Shipping		List price
				Lbs	Dimensions	
500101	52"	24"	2	20	56" x 5" x 4"	\$210.00
500102	58"	24"	2	20	62" x 5" x 4"	219.00
500103	60"	24"	3	21	64" x 5" x 4"	222.00
500104	62"	24"	3	21	66" x 5" x 4"	225.00
500105	64"	24"	3	22	68" x 5" x 4"	228.00
500106	66"	24"	2	23	70" x 5" x 4"	231.00
500107	78"	24"	3	25	82" x 5" x 4"	249.00
500108	80"	24"	4	25	84" x 5" x 4"	252.00
500109	84"	24"	4	26	88" x 5" x 4"	258.00
500110	86"	24"	4	27	90" x 5" x 4"	261.00
500111	88"	24"	3	28	92" x 5" x 4"	264.00
500112	102"	24"	4	30	106" x 5" x 4"	282.00
500113	104"	24"	4	31	108" x 5" x 4"	285.00

Model number	Rail length	Crosspipe length	Module bolt sets	Shipping		List price
				Lbs	Dimensions	
500114	52"	32"	2	21	56" x 5" x 4"	\$224.00
500115	58"	32"	2	21	62" x 5" x 4"	233.00
500116	60"	32"	4	22	64" x 5" x 4"	236.00
500117	62"	32"	3	22	66" x 5" x 4"	239.00
500118	66"	32"	3	24	70" x 5" x 4"	245.00
500119	70"	32"	3	25	74" x 5" x 4"	251.00
500120	76"	32"	3	26	80" x 5" x 4"	260.00
500121	78"	32"	3	26	82" x 5" x 4"	263.00
500122	84"	32"	4	27	88" x 5" x 4"	268.00
500123	86"	32"	2	28	90" x 5" x 4"	271.00
500124	88"	32"	4	29	92" x 5" x 4"	278.00
500125	90"	32"	6	30	94" x 5" x 4"	281.00
500126	92"	32"	4	30	96" x 5" x 4"	284.00
500127	98"	32"	3	31	102" x 5" x 4"	293.00
500128	52"	40"	2	22	56" x 5" x 4"	231.00
500129	54"	40"	2	23	58" x 5" x 4"	234.00
500130	62"	40"	2	23	66" x 5" x 4"	246.00
500131	78"	40"	3	27	82" x 5" x 4"	265.00
500132	80"	40"	3	27	84" x 5" x 4"	268.00



**Series 5002: One module row  
for 4-inch Schedule 40 or 80  
pole (4 1/2-inch O.D.)**

Model number	Rail length	Crosspipe length	Module bolt sets	Shipping		List price
				Lbs	Dimensions	
500219	96"	24"	3	36	100" x 7" x 4"	\$336.00
500220	98"	24"	3	37	102" x 7" x 4"	339.00
500221	104"	24"	5	39	108" x 7" x 4"	348.00
500223	102"	32"	4	39	106" x 7" x 4"	359.00

Model number	Rail length	Crosspipe length	Module bolt sets	Shipping		List price
				Lbs	Dimensions	
500224	104"	32"	5	40	108" x 7" x 4"	\$362.00
500225*	106"	32"	7	41	110" x 7" x 4"	365.00
500226	94"	40"	3	37	98" x 7" x 4"	361.00
500227	102"	40"	4	39	106" x 7" x 4"	373.00
500228	104"	40"	4	40	108" x 7" x 4"	376.00
500229*	106"	40"	4	41	110" x 7" x 4"	379.00
500230*	114"	32"	3	42	118" x 7" x 4"	377.00
500231*	116"	24"	3	41	120" x 7" x 4"	366.00
500232*	118"	32"	3	43	122" x 7" x 4"	383.00
500233*	128"	32"	3	46	132" x 7" x 4"	398.00

\*Ships via truck freight only; all others may ship UPS

See [www.unirac.com](http://www.unirac.com) to locate your nearest distributor.

Prices and specifications are subject to change without notice. Shipping weights and dimensions are nominal.

# PV PoleTop™ Price List and Sizing Chart

## Price List—Double Row Racks



**Series 5003: Two module rows for 4-inch Schedule 40 or 80 pole (4 1/2-inch O.D.)**

Model number	Rail length	Crosspipe length	Module bolt sets	Shipping		List price
				Lbs	Dimensions	
500320	58"	72"	4	50	76" x 7" x 4"	378.00
500321	60"	72"	6	51	76" x 7" x 4"	384.00
500322	62"	72"	6	52	76" x 7" x 4"	390.00
500323	64"	72"	6	52	76" x 7" x 4"	396.00
500324	70"	72"	6	54	76" x 7" x 4"	414.00
500325	78"	72"	6	56	82" x 7" x 4"	427.00
500326	80"	72"	8	58	84" x 7" x 4"	433.00
500327	84"	72"	8	59	88" x 7" x 4"	445.00

Model number	Rail length	Crosspipe length	Module bolt sets	Shipping		List price
				Lbs	Dimensions	
500328	86"	72"	8	62	90" x 7" x 4"	\$451.00
500329	100"	72"	10	46	104" x 7" x 4"	482.00
500330	104"	72"	8	47	108" x 7" x 4"	489.00
500331	58"	84"	4	52	88" x 7" x 4"	408.00
500332	60"	84"	8	53	88" x 7" x 4"	414.00
500333	62"	84"	6	55	88" x 7" x 4"	420.00
500334	66"	84"	4	56	88" x 7" x 4"	432.00
500335	78"	84"	6	58	88" x 7" x 4"	477.00
500336	84"	84"	8	61	88" x 7" x 4"	480.00
500337	86"	84"	4	65	90" x 7" x 4"	486.00
500338	88"	84"	8	46	92" x 7" x 4"	492.00
500339	62"	102"	4	57	106" x 7" x 4"	445.00
500340	64"	102"	4	58	106" x 7" x 4"	451.00
500341	76"	102"	6	62	106" x 7" x 4"	476.00
500342	78"	102"	6	63	106" x 7" x 4"	497.00



**Series 5004: Two module rows for 6-inch Schedule 40 or 80 pole (6 5/8-inch O.D.)**

**For this series, a separate hardware box (20 lbs.) is added to the listed shipping box.**

Model number	Rail length	Crosstube length	Module bolt sets	Shipping		List price
				Lbs	Dimensions	
500420	84"	72"	8	66	88" x 7" x 4"	\$630.00
500421	86"	72"	8	67	90" x 7" x 4"	638.00
500422	88"	72"	6	68	92" x 7" x 4"	646.00
500423	100"	72"	10	74	104" x 7" x 4"	694.00
500424	104"	72"	10	75	108" x 7" x 4"	710.00
500425*	106"	72"	10	76	110" x 7" x 4"	718.00
500426*	112"	72"	4	80	116" x 7" x 4"	742.00
500427*	120"	72"	12	84	124" x 7" x 4"	774.00
500428*	124"	72"	12	86	128" x 7" x 4"	774.00
500429*	128"	72"	12	88	132" x 7" x 4"	779.00
500430*	154"	72"	12	96	158" x 7" x 4"	867.00
500431	66"	84"	4	65	88" x 7" x 4"	571.00
500432	78"	84"	6	69	88" x 7" x 4"	619.00
500433	84"	84"	8	73	88" x 7" x 4"	643.00
500434	86"	84"	4	74	90" x 7" x 4"	651.00
500435	88"	84"	8	75	92" x 7" x 4"	659.00
500436	98"	84"	6	77	102" x 7" x 4"	698.00
500437	104"	84"	10	79	106" x 7" x 4"	714.00
500438*	110"	84"	10	83	114" x 7" x 4"	757.00
500439*	116"	84"	6	85	120" x 7" x 4"	773.00
500440*	118"	84"	8	86	122" x 7" x 4"	778.00
500441*	126"	84"	12	90	130" x 7" x 4"	821.00
500442*	128"	84"	10	91	132" x 7" x 4"	829.00
500443*	130"	84"	12	92	134" x 7" x 4"	837.00

Model number	Rail length	Crosstube length	Module bolt sets	Shipping		List price
				Lbs	Dimensions	
500444*	132"	84"	12	93	136" x 7" x 4"	\$845.00
500445*	146"	84"	10	100	150" x 7" x 4"	896.00
500446*	154"	84"	8	104	158" x 7" x 4"	933.00
500447*	156"	84"	12	105	160" x 7" x 4"	941.00
500448*	162"	84"	10	109	166" x 7" x 4"	965.00
500449*	164"	84"	10	110	168" x 7" x 4"	993.00
500450*	172"	84"	8	114	176" x 7" x 4"	1005.00
500451*	176"	84"	12	115	180" x 7" x 4"	1021.00
500452	62"	102"	4	67	106" x 7" x 4"	568.00
500453	64"	102"	4	68	106" x 7" x 4"	576.00
500454	70"	102"	6	70	106" x 7" x 4"	600.00
500455	76"	102"	6	73	106" x 7" x 4"	624.00
500456	78"	102"	6	74	106" x 7" x 4"	632.00
500457	80"	102"	6	75	106" x 7" x 4"	640.00
500458	92"	102"	8	79	106" x 7" x 4"	682.00
500459	94"	102"	6	80	106" x 7" x 4"	690.00
500460	96"	102"	6	81	106" x 7" x 4"	698.00
500461	102"	102"	8	83	106" x 7" x 4"	704.00
500462	104"	102"	8	84	108" x 7" x 4"	706.00
500463*	106"	102"	8	85	110" x 7" x 4"	708.00
500464*	114"	102"	10	88	118" x 7" x 4"	758.00
500465*	124"	102"	8	95	128" x 7" x 4"	824.00
500466*	128"	102"	10	97	132" x 7" x 4"	826.00
500467*	130"	102"	10	98	134" x 7" x 4"	828.00
500468*	134"	102"	10	100	138" x 7" x 4"	830.00
500469*	138"	102"	12	102	142" x 7" x 4"	832.00
500470*	154"	102"	12	110	158" x 7" x 4"	948.00
500471*	156"	102"	12	111	160" x 7" x 4"	952.00
500472*	160"	102"	12	114	164" x 7" x 4"	956.00
500473*	124"	84"	6	89	128" x 7" x 4"	813.00
500474*	166"	84"	8	111	170" x 7" x 4"	996.00

\*Ships via truck freight only; all others may ship UPS.

### Mounting Clip Sets for Extra Modules

Part number	Description	Shipping wt.	List price
321218	Clips and hardware to mount one extra module	1 lb.	\$6.50

See [www.unirac.com](http://www.unirac.com) to locate your nearest distributor.

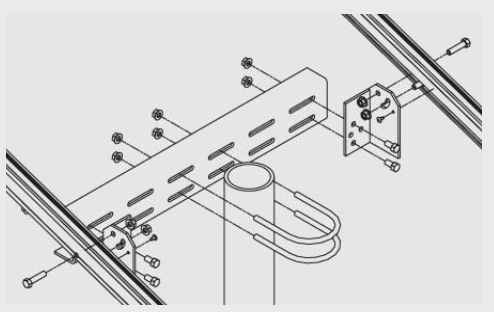
Prices and specifications are subject to change without notice. Shipping weights and dimensions are nominal.

# POLETOPS™

- **SolarMount™ Rails** (U.S. and other patents pending). Lightweight, hollow aluminum extrusions provide great strength over long spans . . . and keep shipping costs low.
- **SolarMount™ Mounting Clips**. Slip into rail slots and quickly align with module mounting holes for fast and easy assembly.
- **Design Wind Pressure**. Each PV PoleTop™ installation is rated as a full system by UniRac's proprietary engineering analysis software, which factors in rack model number, type and number of PV module, array tilt angle, and mounting pole characteristics. See back page for details.

**Material Specs: Series 5000**

*Channel and brackets* — 5052-H32 aluminum.  
*Rails* — Mill finish SolarMount™ hollow-tube extrusion, 6105-T5 aluminum.  
*Mounting clips* — 6105-T5 aluminum.  
*U-bolts and other fasteners* — 304 stainless steel.

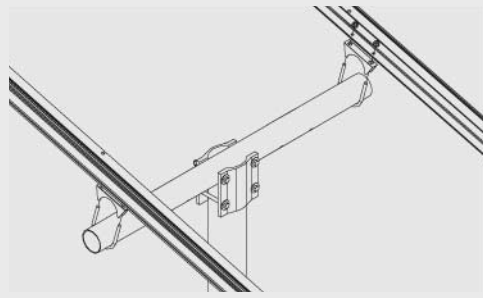


**Series 5000 (formerly U-22)**

- Mounts to 2 ½-inch Schedule 40 or 80 mounting pole, not provided.
- Accommodates arrays up to 16 square feet.
- Adjusts from 15 to 60 degrees from the horizontal.

**Material Specs: Series 5001/5002**

*Pole clamp, cross pipe, rails, and mounting clips* — Mill finish 6105-T5 aluminum.  
*Pole cap* — Mill finish 5052-H32 aluminum.  
*U-bolts and other fasteners* — 304 stainless steel.



**Series 5001 – New!**

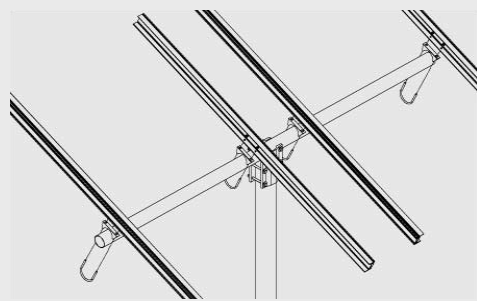
- Mounts to 3-inch Schedule 40 or 80 mounting pole, not provided.
- Accommodates arrays up to 33 square feet.
- Adjusts from 0 to 90 degrees from the horizontal.

**Series 5002**

- Mounts to 4-inch Schedule 40 or 80 mounting pole, not provided.
- Accommodates array size up to 45 square feet.
- Adjust from 0 to 90 degrees from the horizontal.

**Material Specs: Series 5003**

*Pole clamp, cross pipe, rails, and mounting clips* — Mill finish 6105-T5 aluminum.  
*Pole cap* — Mill finish 5052-H32 aluminum.  
*U-bolts and other fasteners* — 304 stainless steel.



**Series 5003**

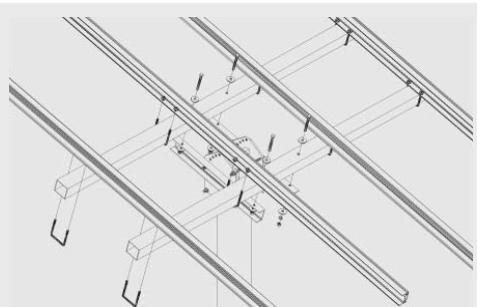
- Mounts to 4-inch Schedule 40 or 80 mounting pole, not provided.
- Accommodates array size up to 65 square feet.
- Adjust from 0 to 90 degrees from the horizontal.

**Series 5004**

- Mounts to 6-inch Schedule 40 or 80 mounting pole, not provided.
- Accommodates array size up to 120 square feet.
- Adjust from 15 to 60 degrees from the horizontal.

**Material Specs: Series 5004**

*Pole clamp* — Grade 5 zinc plated mild steel.  
*Tilt struts, square cross tubes, rails, and mounting clips* — Mill finish 6105-T5 aluminum.  
*Pole cap* — Mill finish 5052-H32 aluminum.  
*U-bolts and other fasteners* — 304 stainless steel.



*Complete assembly instructions are available at [www.unirac.com](http://www.unirac.com).*



## Design Wind Pressures

To ensure the structural integrity and to provide the installer with an accurate wind pressure rating, we have thoroughly computer analyzed and laboratory tested our PV PoleTops™. The resulting Design Wind Pressures— maximum allowable wind pressure in pounds per square foot (psf)—appear after model numbers on the sizing chart on page 2.

*Each rating applies to the entire system*, which includes the PV modules and the mounting pole in addition to the PV PoleTop. Thus, we never rate above 50 psf (the manufacturers’ typical rating for the PV panels alone). Where our rating is below 50 psf, it is in most cases because our analysis predicts that the mounting pole will buckle above the rated load.

The ratings on our sizing chart were calculated based on the following assumptions:

- Make, model, and quantity of modules as indicated on the sizing chart;
- A tilt angle of 40 degrees from the horizontal;
- A mounting pole of Schedule 40 steel pipe, 5 feet above ground for Series 5000 to 5003, 6 feet for Series 5004;
- Installation performed in accordance with applicable installation instructions.

**What Design Wind Pressure is required for your site?** To determine whether a listed Design Wind Pressure is adequate for your site, start with the basic wind speed at the site. Consult a local professional engineer or your local building authority for this figure. In the United States, you can also consult “Minimum Basic Wind Speeds in Miles per Hour,” Figure 16.1 in the *1997 Uniform Building Code* (vol. 2, p. 36). The same map has been adopted by the *2001 California Building Code*.

Determine your site’s exposure category from the table below, and apply your basic wind speed to determine your wind load. For example, if your basic wind speed is 100 miles per hour and your site fits Exposure Category C, you will require a rack with a Design Wind Pressure of 35 psf or greater.

**UniRac can provide additional help.** If requirements or conditions at your site deviate significantly from the assumptions listed above, contact our Customer Service Department. We’ll input your parameters through our proprietary analysis program to quickly determine your wind load rating . . . and we’ll put it in writing.

### Design Wind Pressures (psf) for Given Exposures and Wind Speeds

Exposure Category*	Basic Wind Speed (mph)						
	70	80	90	100	110	120	130
<b>B</b>	10	13	17	21	25	30	35
<b>C</b>	17	23	29	35	43	51	60
<b>D</b>	23	30	38	46	56	67	78

\*The *Uniform Building Code (1997)* defines wind exposure categories as follows (except for bracketed material). The *California Building Code (2001)* has adopted the same definitions and expanded Exposure C to include the bracketed material.

**Exposure B** has terrain with buildings, forests or surface irregularities, covering at least 20 percent of the ground level area extending 1 mile (1.61 km) or more from the site.

**Exposure C** has terrain that is flat and generally open, extending ½ mile (0.81 km) or more from the site in any quadrant [or having scattered obstructions extending one-half mile or more from the site in any full quadrant. This category includes flat or gently rolling open country and grasslands. Sites normally considered as Exposure B, but which are subject to topographic amplification or channelization, such as ridgetops or draws, shall be considered as Exposure C].

**Exposure D** represents the most severe exposure in areas with basic wind speeds of 80 miles per hour (mph) (129 km/h) or greater and has terrain that is flat and unobstructed facing large bodies of water over 1 mile (1.61 km) or more in width relative to any quadrant of the building site. Exposure D extends inland from the shoreline ¼ mile (0.40 km) or 10 times the building height, whichever is greater.



UniRac, Inc.  
info@unirac.com

3201 University Boulevard SE, Suite 110  
Albuquerque NM 87106-5635 USA

505.242.6411  
505.242.6412 Fax

Pub 040601-2pl • June 2004  
@ 2004 UniRac, Inc. All rights reserved.

#### 10 year limited Product Warranty

UniRac, Inc., warrants to the original purchaser (“Purchaser”) of product(s) that it manufactures (“Product”) at the original installation site that the Product shall be free from defects in material and workmanship for a period of ten (10) years, from the earlier of 1) the date the installation of the Product is completed, or 2) 30 days after the purchase of the Product by the original Purchaser. This Warranty does not cover damage to the Product that occurs during its shipment, storage, or installation.

This Warranty shall be VOID if installation of the Product is not performed in accordance with UniRac’s written installation instructions, or if the Product has been modified, repaired, or reworked in a manner not previously authorized by UniRac IN WRITING, or if the Product is installed in an environment for which it was not

designed. UniRac shall not be liable for consequential, contingent or incidental damages arising out of the use of the Product by the Purchaser under any circumstances.

If within the specified Warranty period the Product shall be reasonably proven to be defective, then UniRac shall repair or replace the defective Product, or any part thereof, in UniRac’s sole discretion. Such repair or replacement shall completely satisfy and discharge all of UniRac’s liability with respect to this limited Warranty. Under no circumstances shall UniRac be liable for special, indirect or consequential damages arising out of or related to use by Purchaser of the Product.

Manufacturers of related items, such as PV modules and flashings, may provide written warranties of their own. UniRac’s limited Warranty covers only its Product, and not any related items.