

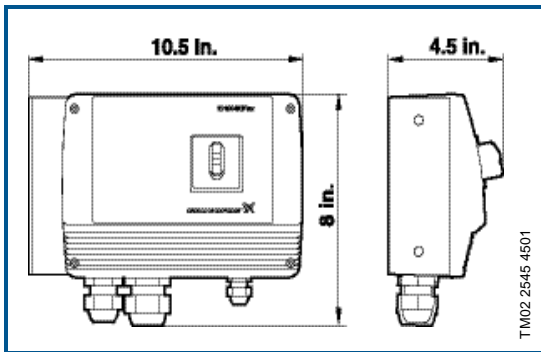
IO 100

The IO 100 switch box is designed specifically for solar powered SQFlex systems.

The IO 100 enables manual starting and stopping of the pump in an SQFlex Solar system and functions as a connection box joining all necessary cables.

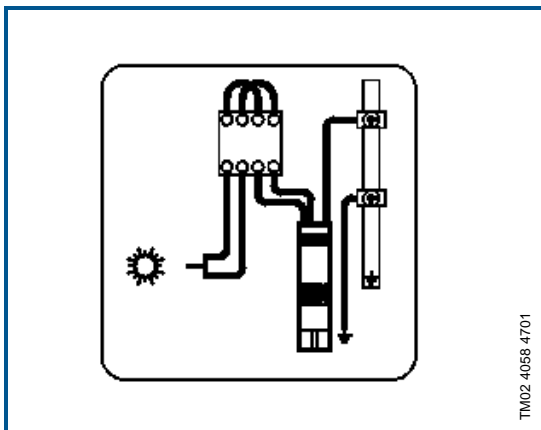
The dimensions and wiring diagram of IO 100 are shown below.

Dimensions, IO 100



Dimensions stated in inches.

Wiring diagram, IO 100



IO 101

The IO 101 switch box is designed specifically for solar powered SQFlex systems.

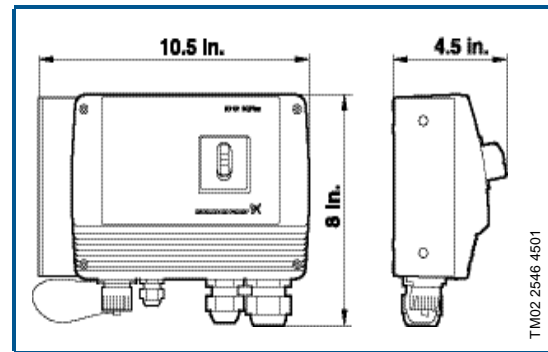
The IO 101 enables the connection of a generator supply back-up in case of insufficient solar radiation. The switching between solar power and generator must be made manually.

In case the generator is stopped manually or runs out of fuel, the IO 101 will automatically switch to the solar energy supply.

The IO 101 functions as a connection box joining all necessary cables.

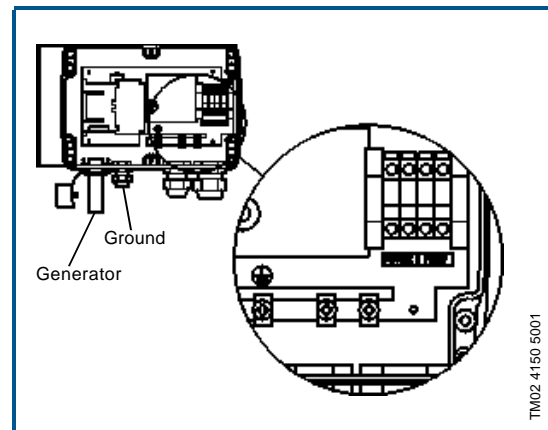
The dimensions and wiring diagram of IO 101 are shown below.

Dimensions, IO 101



Dimensions stated in inches.

Wiring diagram, IO 101



Generator

The generator must be running steadily before the pump is cut in.